

LINDSAY BROADBAND OUTDOOR SMALL CELL GATEWAY

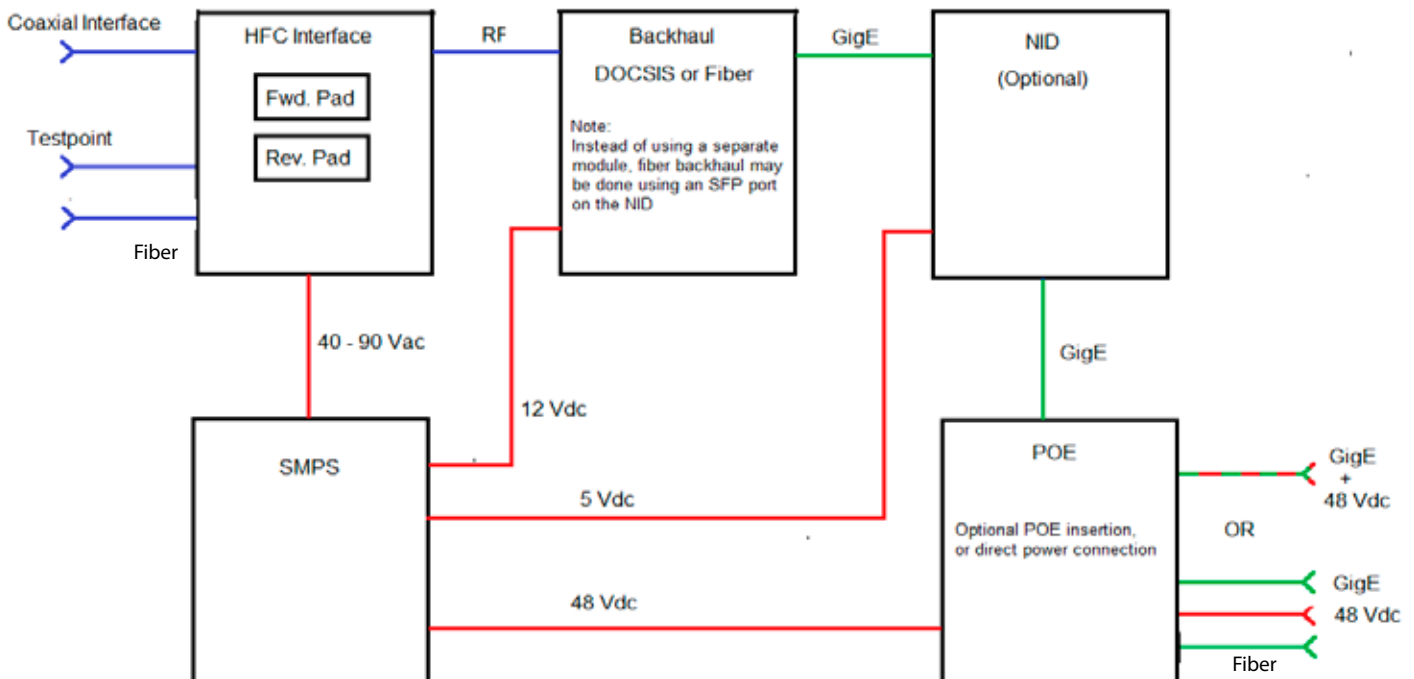


LBODG-3010-ACC-METRO

Features

- Die cast aluminum housing (clam shell)
- Mounting configurations: wall, vault, or strand
- Dual gaskets provide 15-PSI weather proof seal
- Operating range, from -40°C to +60°C (-40°F to +140°F)
- Designed to isolate EMI and protect against surges
- DOCSIS3.0 compliant
- Cable plant-powered (40-90 voltage AC)
- Electromagnetic interference (EMI): -100dB
- 6Kv Surge protection
- HFC access with directional coupler or power-passing tap
- Coax power interface provides for easy set up
- Monitor and configure via SNMP agent,

BLOCK DIAGRAM



SPECIFICATIONS

RF DOWNSTREAM	
Specification	Value
Operating Frequency	88 to 1002 MHz
Tuner Frequency Range	88 to 1002 MHz
Tuner	(2) Frequency agile block tuners, 32 MHz bandpass each
Demodulation	8 demodulators, 4 per tuner, each demodulator, 64 QAM or 256 QAM
Maximum Data Rate	8 downstream channels, each 6 MHz channel: 42.88 Mbps for 256 QAM and 30.34 Mbps for 64 Qam
Bandwidth	6 or 8 MHz
Operating Level	-15 to +15dBmV
Input Impedence	75 ohms
RF Upstream	
Specification	Value
Operating Frequency Range	5 to 42 MHz; 5 to 65 Mhz or 5 to 85 MHz
Transmit Frequency Range	5 to 42 MHz; 5 to 65 MHz or 5 to 85 MHz
Upstream Transmission	4 upstream channels
Modulation	QPSK; 8 QAM; 16 QAM; 32 QAM; 64 QAM/ ATDMA 128 QAM/SCDMA
Mechanical	
Dimensions (L x W x H)	20 "x 10" x 8.5"
Weight	approximately 24 lbs.

Network Interface

- High Performance Demarcation Device
 - * End-to-End OAM Functionality
 - * Throughput SLA-Meter Performance Monitoring
 - * Intellegent Layer 1, 2, 3, and 4 Loopbacks
 - * In-Service Throughput testin
 - * RFC-2544 Automated Test Suite Reports
 - * Pre-Flow Statistics
 - * Zero-delay Traffic Shaping
 - * Wire-Speed Traffic Filtering
 - * Plug & Go Instant Provisioning
- Traffic Conditioning & Service Creation
 - * Flexible traffic filtering and QoS mapping
 - * Pre-Flow bandwidth profiles
 - * EVC Creation (VLAN Tag add/removal/swap)
- OAM & Performance Service Creation
 - * Ethernet OAM: 802.1ag (CFM), Y.1731
 - * L2/L3 Performance Assurance Agent (PAA)
- Testing & Troubleshooting
 - * Y.1564 Service Activation Testing
 - * RFC2544 Test Suite
 - * In-Service throughput testing
 - * Embedded TWAMP Reflector
 - * Test Set Interoperability
 - * Smart loopbacks

FOR MORE INFORMATION ON OUR WIRELESS, OPTICAL AND RF PRODUCTS
CALL 1-800-465-7046 OR
U.S. Sales Toll free: 877-672-4340