

HFC Powered Small Cell AC/DC Converter

LBPS-400-4

Power small cells with this low-cost Lindsay Tough HFC powered SMPS AC/DC converter. Powering flexibility matters when deploying small cells at street level utilizing your HFC infrastructure. The Lindsay LBPS-400-4 can be strand, vault, pedestal and wall mounted delivering up to 400 Watts to power multiple devices via 4 ports. Designed to maintain reliability with HFC uninterrupted powering while offering a cost advantage over conventional powering schemes. The LBPS-400-4 is a great addition to our small cell network architectural tool kit developed for the Cable industry to deliver industry standard, highly reliable, managed, mission critical and power to small cells. Lindsay Broadband manufactures both indoor and outdoor small cell gateways.



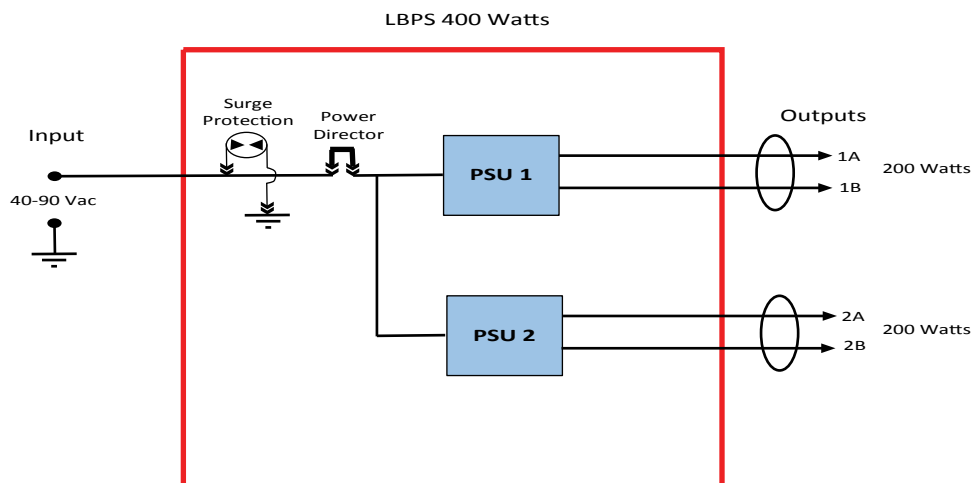
FEATURES

- Die-cast aluminum housing (clamshell design)
- Mounting configurations: wall, pole, vault, mast, or strand
- Dual gaskets provide 15-PSI weather-proof seal
- Temperature cycled, from -40°C to $+60^{\circ}\text{C}$ (-40°F to $+140^{\circ}\text{F}$)
- Designed to isolate EMI and protect against surges
- Cable plant-powered (40-90 voltage AC)
 - Electromagnetic interference (EMI): -100 dB
 - 6Kv Surge protection
- HFC access with Lindsay Broadband 100 Series
- Hardline directional coupler or power inserter
- Single and dual power ports available
- Coax power interface protects RF performance of HFC plant
- Capable of powering multiple small cell devices

SPECIFICATIONS LBPS-400-4

Lindsay LBPS -400-4 Specifications	
Operating	
Temperature Range	-40 to +60 Deg C
EMI Isolation	100 dB (5 to 1000 MHz)
Surge Withstand (HFC)	ANSI -IEEE C62.41 Category B3 (6KV)
Input Voltage	40 - 90 Vac (Pseudo Sine)
Power Consumption	External Load * 1.11
Output Power	200W + 200W (Fully Isolated)
Efficiency	90%
Power Factor	80%
Output Voltage	55.8 (+/- 2%)
Physicals	
Dimensions	20 x 10 x 8.5 inches (51 x 25 x 22 cm)
Weight	11.4 Kg (25 lbs)
Ingress Protection	IP68 (15 psi for 10 seconds)

BLOCK DIAGRAM



FOR MORE INFORMATION ON OUR WIRELESS, OPTICAL AND RF PRODUCTS
CALL 1-800-465-7046 OR
U.S. Sales Toll free: 877-672-4340