

## OPTICAL STRAND MOUNTED HARDENED ACCESS POINT

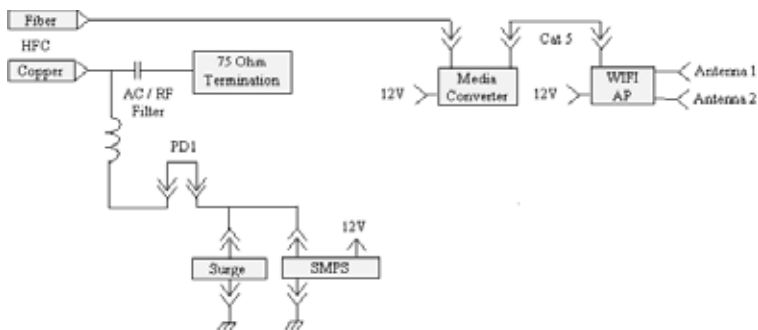
## OSMHAP

Powerful radios combined with an electrical-to-optical media converter make for efficient fiber backhaul, all in a hardened one-box solution.

The case for fiber backhaul is compelling. With throughput on 802.11n radios exceeding 100Mbps (full duplex), offloading traffic from your copper plant to your fiber network not only makes sense—it may be imperative. The *Lindsay* optical strand-mounted, hardened access point (OSMHAP) integrates standards-compliant radios with E-O media converters in a single *Lindsay TOUGH* platform that is ideal for serving business customers who were previously out of reach of the typical CATV footprint. The Optical SMHAP installs quickly where fiber access and HFC plant power are available.



## BLOCK DIAGRAM



## FEATURES

- Die-cast aluminum housing (clamshell design)
- Mounting configurations: wall, pole, vault, mast, or strand
- Dual gaskets provide 15-PSI weather-proof seal
- Temperature cycled, from -40°C to +60°C (-40°F to +140°F)
- Designed to isolate EMI and protect against surges
- Single and dual 802.11a/b/g/n radio option
- Integrated media converter with SFP port (Gigabit or EPON)
- Single or paired fiber links up to 120km
- Available with WDM, OADM, splitters and virtual hubs
- Cable gland accepts pre-terminated LC connectors
- Installer-friendly integrated fiber management
- Cable plant-powered (40-90 voltage AC)
- Powered by Mikrotik, HP, Ubiquity and additional options
- Omni-directional and directional sector, panel, grid and dish antenna options
- 2 X 2 MIMO two spacial streams
- Supports 16 virtual service communities (SSID)
- Multiple secure management options
- RADIUS interface for authentication, authorization and accounting
- Hotspot, point-to-point/point-to-multipoint operations

## SPECIFICATIONS - OSMHAP

|  |   |
|--|---|
| <b>Media Converter</b>                                     |   |
| Standards  | 802.3 10Base-T                                      |
|  | 802.3u 100Base-TX                                   |
|  | 802.3z 100Base-SX/LX                                |
|  | 802.3ab 100Base-T                                   |
|  | 802.3x Flow Control and Back Pressure               |
|  | 802.1p Class of Service                             |
|  | 802.1Q VLAN Tagging                                 |
|  | 802.3ah QAM   |
| Management   | HTTP  |
|  | SNMP V1, V2c  |
| Port Configuration   | Enable/Disable; Auto Negotiation, Bandwidth control |
| SFP  | All standard colors, up to 120Km                    |
| <b>Radio</b>   |   |
| Tx Power   | 350mW @64Mbit, 160mW @ 58Mbit                       |
| Rx Sensitivity   | -94dBm @ 6Mbit, -81dBm@ 54Mbit                      |
| Standards  | 802.11a/b/g/n (depending on model)                  |
| <b>HFC Platform</b>  |   |
| Insertion Loss   | 5dB ±1  |
| Return Loss  | 16 dB (max)   |
| Airtight   | 15 p.s.i.   |
| Temperature Range  | -40°C to +60° C ( -40° F to +140° F)                |
| EMI Isolation  | 100dB (5 to 1000MHz)                                |
| Surge Protection   | Gas Discharge Tube                                  |
| Powering   | 40-90 VAC (Pseudo Sine)                             |
| Power Consumption  | 24 W (dual radio)                                   |
| <b>Physical</b>  |   |
| Dimensions   | 30.5 x 22.8 x 15.3 cm (12 x 9 x 6 inches)           |
| Weight   | 3.6kb (8lbs)  |
| *** NOTE - Specifications subject to change without notice |   |

**FOR MORE INFORMATION ON OUR WIRELESS, OPTICAL AND RF PRODUCTS  
CALL 1-800-465-7046 OR  
U.S. Sales Toll free: 877-672-4340**

[www.lindsaybroadbandinc.com](http://www.lindsaybroadbandinc.com)