

## HFC POWERED SMALL CELL AC/AC CONVERTER

## LBPS400-ACPSU-90V

Power small cells with this low-cost Lindsay Tough HFC powered AC/AC converter.

Powering flexibility matters when deploying small cells at street level utilizing your HFC infrastructure. The Lindsay LBPS400-ACPSU-90V can be strand, vault, pedestal and wall mounted delivering up to 400 Watts to power multiple small cell devices. Designed to maintain reliability with HFC uninterrupted powering while offering a cost advantage over conventional powering schemes. The LBPS400-ACPSU-90V is a great addition to our small cell network architectural tool kit developed for the Cable industry to deliver industry standard, highly reliable, managed, mission critical two way communications and power to small cells. Lindsay Broadband manufactures both indoor and outdoor small cell gateways.



## FEATURES

- Die-cast aluminum housing (clamshell design)
- Mounting configurations: wall, pole, vault, mast, or strand
- Dual gaskets provide 15-PSI weather-proof seal
- Temperature cycled, from  $-40^{\circ}\text{C}$  to  $+60^{\circ}\text{C}$  ( $-40^{\circ}\text{F}$  to  $+140^{\circ}\text{F}$ )
- Cable plant-powered (60-90 voltage AC)
- (EU) Cable Plant-powered (45-65 voltage AC)
- Electromagnetic interference (EMI):  $-100\text{ dB}$  when installed with an approved Lindsay Broadband LTE-PI Series power inserter
- 6Kv Surge protection
- HFC access with Lindsay Broadband LTE-PI Series
- Up to 4 power ports available
- Coax power interface protects RF performance of HFC plant
- Small Cell Power up to 400 Watts

## SPECIFICATIONS

Model		LBPS-400-ACPSU-90V
Input Voltage	note1	60-90 Vrms
Output Voltage	"	81-90 Vrms
Max Output Power		400 W
Max Input Current	note2	7.0 Arms
Max Output Current	"	5.0 Arms
Output Fuse		6.25A, 250V, slo-blo
Surge Withstand		ANSI-IEEE C62.1 Category B3 (6KV)
EMI	note3	-100 dBc
Ingress Protection		IP68 (15 psi for 10 seconds)
Temperature Range		-40 to +60 degC
Dimensions		16x9.5x6.25 inch / 41x24x16 cm
Weight		21lb / 9.5kg
Standards Compliance		FCC 47 CFR Part 15dB

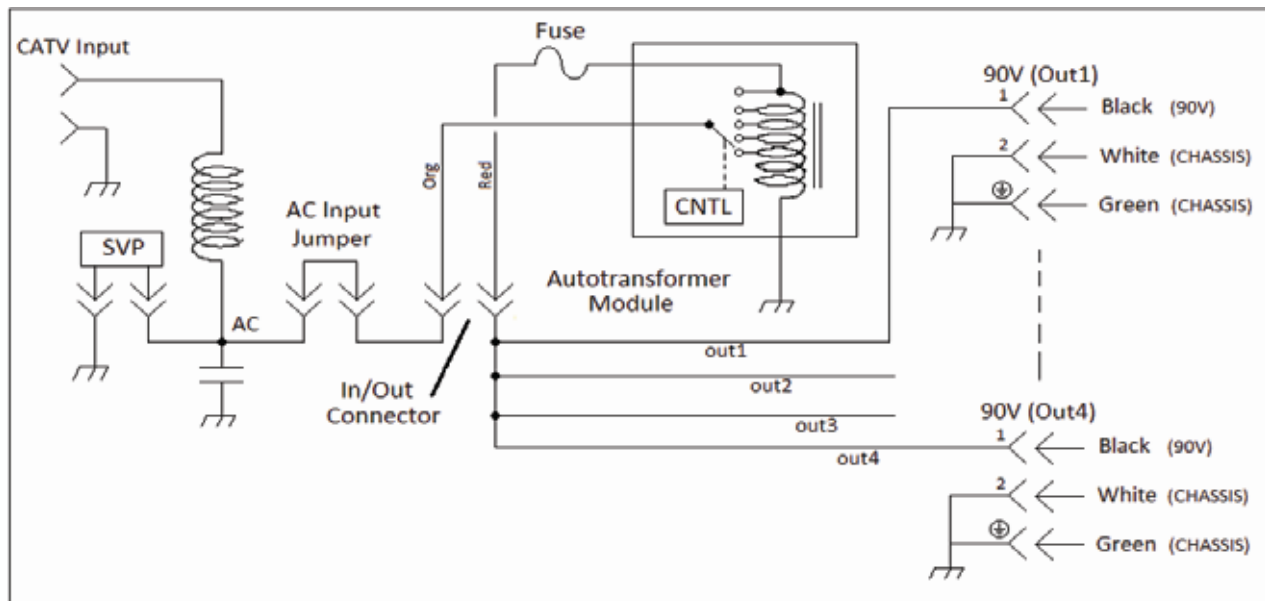
Note 1 quasi-square voltage

Note 2 based on 400W delivered with 1.0 power factor

Note 3 Lindsay Model LTE-PI Power Inserter is recommended for correct EMI performance

Note 4 specifications subject to change

## BLOCK DIAGRAM



FOR MORE INFORMATION ON OUR WIRELESS, OPTICAL AND RF PRODUCTS

CALL 1-800-465-7046 OR

U.S. Sales Toll free: 877-672-4340

[www.lindsaybroadbandinc.com](http://www.lindsaybroadbandinc.com)