

OPTICAL GATEWAY

Manage Gigabit Ethernet services right off the strand with a *Lindsay TOUGH* 10/100/1000BASE-T to 1000BASE-SX/LX optical gateway.

Closet space is limited and cabinets are expensive. The *Lindsay Broadband* optical gateway (LBOG) is a hardened, strand-mounted answer to the question of how to offload GigE traffic from outdoor networking elements (IP security cameras, Wi-Fi, RF, microwave, Pico cell) to your fiber network. Available with SFP transceivers, WDM and single or paired fiber links up to 120km. Features input media converter and PoE options for IP devices. Deploy this HFC-powered backhaul solution within one hour and manage it remotely via SNMP agent, SSH or Web browser.



LBOG



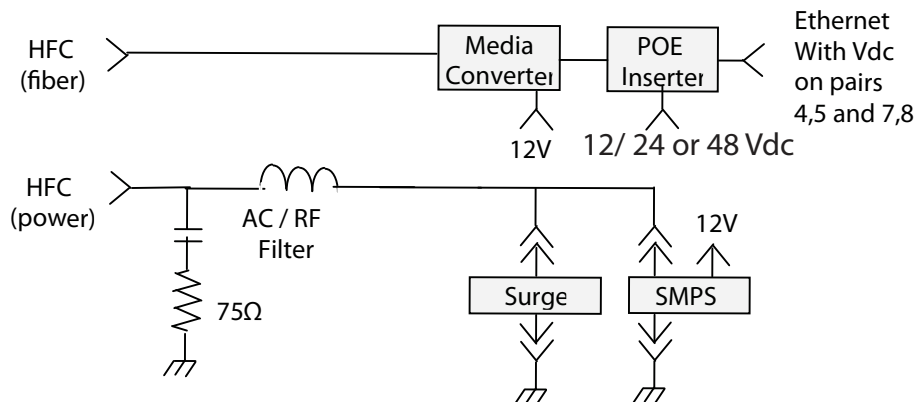
FEATURES

- Installer-friendly integrated fiber management
- Cable plant-powered (40-90 voltage AC)
- Electromagnetic interference (EMI): -100 dB
- 6Kv Surge protection
- HFC access at any directional coupler or power-passing tap
- Weather-tight RJ-45 Ethernet connector
- Coax power interface protects RF performance of HFC plant
- Passive PoE (12, 24 or 48 VDC or custom) for powering IP devices
- Monitor and configure via SNMP agent, Telnet or Web browser
- Add Wi-Fi, IP camera or other service-enabling device
- Die-cast aluminum housing (clamshell design)
- Mounting configurations: wall, pole, vault, mast, or strand
- Dual gaskets provide 15-PSI weather-proof seal
- Temperature cycled, from -40°C to +60°C (-40°F to +140°F)
- Designed to isolate EMI and protect against surges
- Integrated media converter with SFP port (Gigabit or EPON)
- Single or paired fiber links up to 120km
- Available with WDM, OADM, splitters and virtual hubs
- Cable gland accepts pre-terminated LC connectors

SPECIFICATIONS - LBOG

MEDIA CONVERTER	
Twisted Pair	1000Mbps (full duplex)
SFP Port	100Mbps (full duplex)
Packet Size	9216 Bytes
Emissions	FCC Class A, CE Class A
Reliability Testing	IEC-60068-2-32, IEC-60068-2-27, IEC-60068-2-6
Standards	802.3, 802.3u, 802.3ab, 802.3z and 802.3x
CWDM/SFP	
Connector	Duplex LC
Wavelength	1470-1610nm, (8 colors)
Max. Distance	120Km.
Throughput	1.25Gbps (full duplex)
<i>Many other types of SFP's are available</i>	
SOFTWARE	
SNMP Management	V1, V2c
HTTP Band Management	Yes
HFC	
Airtight	15 p.s.i.
Temperature Range	-40 to +60 Deg C (-40 to 140 Deg F)
EMI Isolation	100 dB (5 to 1000Mhz)
Surge Protection	Gas Discharge Tube
Powering	-40-90Vac (Pseudo Sine)
Physical	
Dimensions	12 X 9 X 6 inches
Weight	8lbs.
*** NOTE- Specifications subject to change without notice	

BLOCK DIAGRAM



**FOR MORE INFORMATION ON OUR WIRELESS, OPTICAL AND RF PRODUCTS
CALL 1-800-465-7046 OR
U.S. Sales Toll free: 877-672-4340**

www.lindsaybroadbandinc.com