

POWER INSERTER

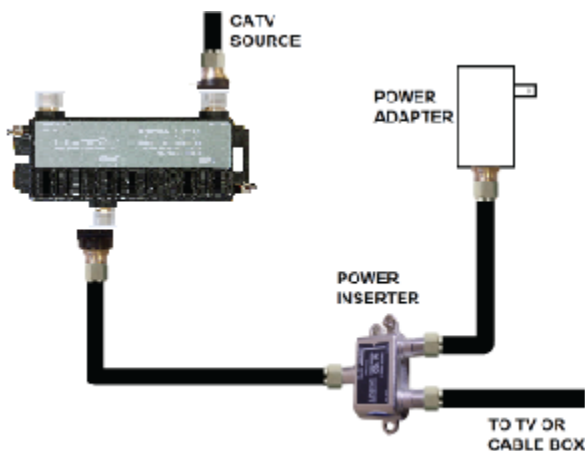
Remotely power any Lindsay Broadband amplifier on the coaxial cable when no power supply is conveniently located.

DESCRIPTION

The Lindsay Broadband Power Inserter (PI) provides power-in for your multimedia, subscriber amplifiers and RFoG nodes in the absence of a convenient outlet. Hardened and 1.2GHz capable, the LBI-PI combines the RF signal and 55-voltage DC power input to activate amplifiers installed in out-of-the-way places such as attics, exteriors or crawl spaces.

FEATURES

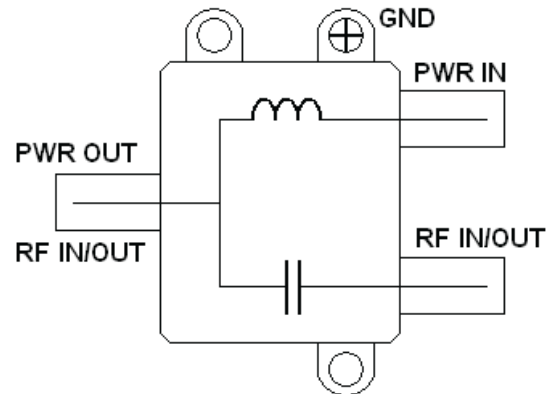
- Subscriber amplifier remote powering
- Multimedia amplifier remote powering
- RFoG node remote powering
- Bandwidth, 5 MHz to 1220 MHz
- 6 to 14 AWG integrated ground terminal
- Multi-drive, flat- point ground screw
- Two mountings ears, mounting screws included
- SCTE-compliant Female F-connector
- Part Number 15-100



LBI-PI



BLOCK DIAGRAM



SPECIFICATIONS

Item	Typ. Value	
Insertion Loss	0.75dB	
Return Loss (In/Out)	20dB	
Isolation	5-42Mhz	42-1220 MHz
	35dB	25dB
Voltage	55V	
Current	0.65A	
Surge Withstand	Combo Wave 6kV/3kA	
RFI	100dB	

*All specifications are subject to change without prior notice
 Copyright © 2017 Lindsay Broadband Inc.

FOR MORE INFORMATION ON OUR WIRELESS, OPTICAL AND RF PRODUCTS
 CALL 1-800-465-7046 OR
 U.S. Sales Toll free: 877-672-4340

www.lindsaybroadbandinc.com