

DOCSIS UNIVERSAL VOLTAGE GATEWAY

LBDG-DV

Enable your preferred access point (AP) or IP camera with this low-cost, Lindsay TOUGH DOCSIS-based infrastructure now utilizing a selectable 0, 12, or 48Vdc passive PoE

Flexibility matters in 802.11 deployments. The *Lindsay Broadband* DOCSIS gateway (LBDG-DV) allows the use of any AP, IP camera, etc. on the HFC strand. You can use a Lindsay recommended device or any AP (or other IP device) that is either 802.3af compliant or accepts passive power over Ethernet (PoE). Designed to maintain reliability but minimize costs, the hardened LBDG uses a standards based DOCSIS cable modem that is wholly under the control of the MSO. It can be used in conjunction with SNMP monitoring systems to evaluate cable plant line conditions.

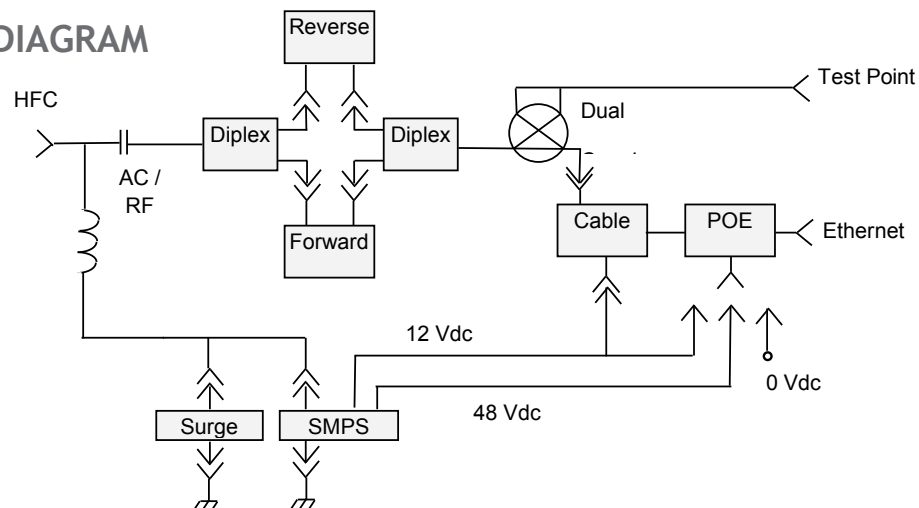


FEATURES

- Die-cast aluminum housing (clamshell design)
- Mounting configurations: wall, pole, vault, mast, or strand
- 15-PSI weather-proof seal
- Temperature cycled, from -40°C to +60°C (-40°F to +140°F)
- DOCSIS 2.0 / 3.0
- Cable plant-powered (40-90 voltage AC)
- Electromagnetic interference (EMI): -100 dB
- 6Kv Surge protection
- HFC access at any directional coupler or power-passing tap
- Weather-tight RJ-45 Ethernet connector
- Coax power interface protects RF performance of HFC plant
- Passive PoE 0, 12, or 48Vdc selectable, 802.3af compatible
- Monitor and configure via SNMP agent, SSH or Web browser
- Add Wi-Fi, camera or other service-enabling device

Lindsay DOCSIS Gateway Specifications		
Included Modules		
Cable Modem	Per Customer Specifications	
HFC		
Return Loss	16 dB (max)	
Insertion Loss	5 dB (+/-1dB)	
Test Point	-20dB relative to cable modem RF port	
Pad Type	JXP, Separate Forward and Reverse	
Temperature Range	-40 to +60 Deg C	
EMI Isolation	100 dB (5 to 1000 MHz)	
Surge Withstand (HFC)	ANSI-IEEE C62.41 Category B3 (6KV)	
Powering	40-90 Vac (Pseudo Sine)	
Power Consumption	10 W + (POE Load 1.25)	
Ethernet		
Throughput	10/100/1000 Mbps	
Reach	100 meters	
Interface	RJ45	
POE	Type	Passive (Compatible with 802.3af)
	Voltage	0/12/48 Vdc
	Wattage	20W (12W when using 12Vdc)
Physical		
Dimensions	290 X 220 X 130 mm (11.5 X 8.5 X 5 in)	
Weight	2.5 Kg (6 lbs.)	
Ingress Protection	IP68 (15 psi for 10 seconds)	
Certifications		
Cable Modem	DOCSIS 1. X / 2.0 / 3.0 Cablelabs Certified	

BLOCK DIAGRAM



FOR MORE INFORMATION ON OUR WIRELESS, OPTICAL AND RF PRODUCTS
CALL 1-800-465-7046 OR
U.S. Sales 404-290-5500