

LINDSAY RF AMPLIFIER LBA3827 1.2 GHz MULTI-DWELLING AMPLIFIER

FEATURES

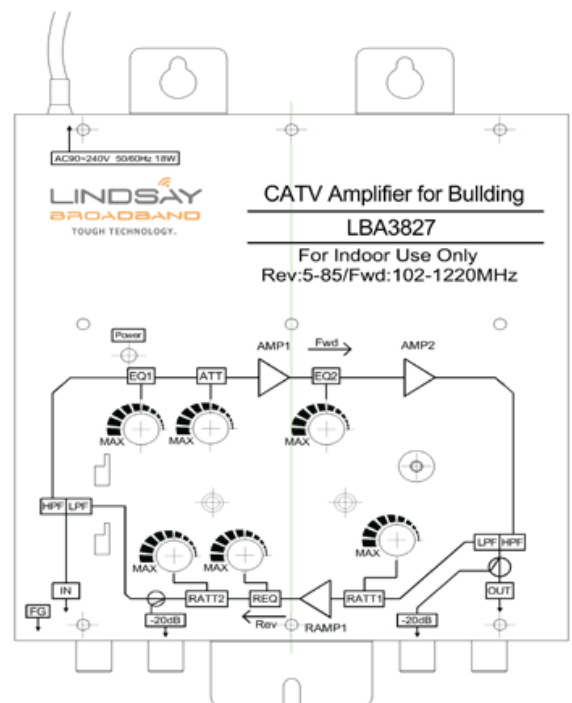
- Wall mount aluminum enclosure
- Heat dissipation finned design
- IP64 rating for indoor applications
- Operating temperature range -20C to +55C
- 38dB forward gain, 27dB reverse gain
- Variable type attenuators and equalizers
- -20dB external test points
- Surge protected to 6kV on all ports
- 90-240VAC mains powered
- Available duplex filter options 42/54, 85/102MHz



PRODUCT OVERVIEW

The Lindsay exclusive multiple dwelling amplifier delivers reliable performance supporting DOCSIS® 3.1 frequencies to 1.22GHz. The unique design offers configurations for 42 and 85MHz upstream bandwidth requirements.

Model LBA3827 applications for advanced HFC network installations in apartment buildings, hotels, schools, hospitals and similar facilities having high RF amplification requirements. Designed with high gain this amplifier can be mounted directly to a wall with increased heat dissipation properties and low power consumption, this amplifier runs cool reducing operational costs. The ultimate two-way amplifier uses the latest 1.22GHz GaAs-Fet Push Pull technology providing superior distortion performance and low noise. Technician friendly controls feature variable attenuators and equalizers facilitating greater flexibility when adjusting the amplifier. The mains powered automatic switching mode power supply accepts input voltages from 90-240 V at frequencies of 50 or 60Hz without adjustment.



SPECIFICATIONS LBA3827 - CATV AMPLIFIER FOR BUILDING

Typical, for T= 20degC, Zin=Zout= 75ohms

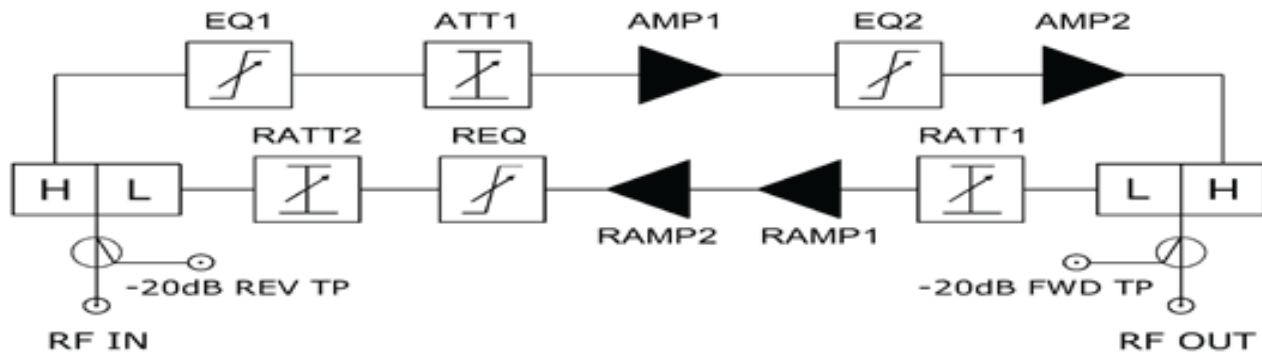
Parameter	Notes	Forward	Reverse	Units
Bandwidth		54/102-1220	5-42/85	MHz
Average Full Gain		38	27	dB
Flatness		±1	±0.75	dB
Return Loss		-14	-16	dB
RF Test Points	In/Out	-20±1	-20±1	dB
Input Equalizer Control range	Continuously adjustable	0 - 18		dB
Interstage Equalizer Control range	Continuously adjustable	0 - 18		dB
Output Equalizer Control range	Continuously adjustable		0 - 18	dB
Input Attenuator Control range	Continuously adjustable	0 - 20	0 - 20	
Output Attenuator Control range	Continuously adjustable		0 - 20	
Reference Output Level		48	46	dBmV
Forward Distortions	33/48 dBmV (15 dB Tilt 54/1220MHz) output level, 79 NTSC channels, digital at -6dB from 550MHz upto 1.2 GHz			
CTB		-66		dBc
CSO		-66		dBc
Reverse Distortions	46dBm V flat output, 2 Channel (13 & 19 MHz) according to ANSI/SCTE1152011			
DTO	on 7 & 25 MHz		-75	dBc
DSO	on 6 & 32 MHz		-60	dBc
Noise Figure	with Full Gain	8	8	dB
Group Delay	3.58 MHz Span	≤35		nsec
	1 MHz Span		≤35	nsec
Hum Modulation		-65	-75	dBc
Surge Withstand	In/Out	IEEE C62.41 Cat B3, Combination Wave 6KV, 3KA		
Powering		90-240, 50/60 Hz		Vac
Power Consumption		18		Watts
Temperature		-20 to +55		degC
Weight		1.55		kg
Dimensions		210X 155 X 60		mm

NOTE:

*Specifications are subject to change without prior notice

Copyright © 2017 Lindsay Broadband Inc.

BLOCK DIAGRAM



ORDERING GUIDE

LBA3827-XX-X

XX

Key	Bandpass Split
42	5-42MHz/ 54-1220MHz
81	5-85MHz/ 102-1220MHz

X

Key	Power Cord
A	Type A US Style Plug
B	Type B Brazil Style Plug
C	Type C Euro Style plug

FOR MORE INFORMATION ON OUR WIRELESS, OPTICAL AND RF PRODUCTS

CALL 1-800-465-7046 OR
 U.S. Sales Toll free: 877-672-4340

www.lindsaybroadbandinc.com