

POE TOWER MOUNTED HARDENED ACCESS POINT

9000 HAP

Power over Ethernet (PoE) 802.11 Wi-Fi access in a *Lindsay TOUGH*-hardened, lightning and surge-protected one-box solution.

Take advantage of power over Ethernet (PoE) when wireless access points are required but AC is not available or feasible—and nature threatens. The *Lindsay* 9000-class hardened access point (HAP) offers integrated surge protection and maximum heat dissipation in a weather-proof, corrosion-resistant aluminum housing. The integrated antenna port and Ethernet entry point are both surge protected. The 9000HAP comes with dual-band 802.11a/b/g/n radio technology and can be configured for hotspot, point-to-point or point-to-multipoint bridges.



FEATURES

- Die-cast aluminum housing (clamshell design)
- Mounting configurations: wall, pole, vault, mast, or strand
- Dual gaskets provide 15-PSI weather-proof seal
- Temperature cycled, from -40°C to +60°C (-40°F to +140°F)
- Designed to isolate EMI and protect against surges
- Single and dual 802.11a/b/g/n radio options
- Electromagnetic interference (EMI): -100 dB
- Weather-tight RJ-45 Ethernet connector
- Ethernet entry surge protected on data and PoE, 48 Volts
- Omni-directional and directional sector, panel, grid and dish antenna options
- 2 X 2 MIMO two spatial streams
- Hotspot, point-to-point/point-to-multipoint functionality
- Powered by Mikrotik, HP, Ubiquity and additional options



SPECIFICATIONS 9000HAP

Physical and Enviromental

Temperature Range	Operating	-40°C to +60°C (-40°F to +140°F)
	Storage	-40°C to +80°C (-40°F to +176°F)
Dimensions		30.5 x22.8 x 15.3cm(12 x 9 x 6inches)
Weight		3.3kg(7.2 lbs)
EMI Isolation		-100 dB
Powering		Power over Ethernet
Environmental Seal		15 PSI
Grounding Clamp		Integrated 10 AWG Max.

Antenna Port Surge Protection

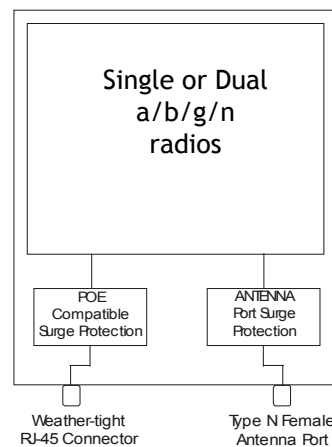
Antenna Surge	10kA IEC 1000-4-5 8/20 μs WAVEFORM
Frequency Ranges	2.0GHz to 6.0GHz
VSWR	≤1.2 typical (≤1.3 to 1 Max.)
Insertion Loss	≤0.1db to 1 typical (≤0.2dB Max.)
Return Loss	≤20dB typical
Continuous Power	10W
Let through Voltage	± 3 Volts for 3kA @ 8/20μs WAVEFORM
Throughput Energy	≤0.5μJ for 3kA @8/20μs WAVEFORM

** Note: Specifications are subject to change without notice



POE Lightning Protector

Provides superior lightning and surge protection	
Data Clamping Voltage	58 Volts
POE Clamping Voltage	58 volts



**FOR MORE INFORMATION ON OUR WIRELESS, OPTICAL AND RF PRODUCTS
 CALL 1-800-465-7046 OR
 U.S. Sales Toll free: 877-672-4340**